

UNIVERSAL BUTLER INSTRUCTION

Drill two holes in mounting surface and use either the Flat Head Screws, Washers, and Lock Nuts, or use the two Wood/Sheet Metal screws to mount the female part of the hinge.

The best surface to use is a strong surface that is perpendicular to the floor of the vehicle or the ground. A slightly slanted surface can be used by rotating the female part of the hinge so that the ring will be parallel to the floor or ground.

Be sure to place the bracket such that when the mug is placed in the ring the bottom of the mug will not contact any surface.

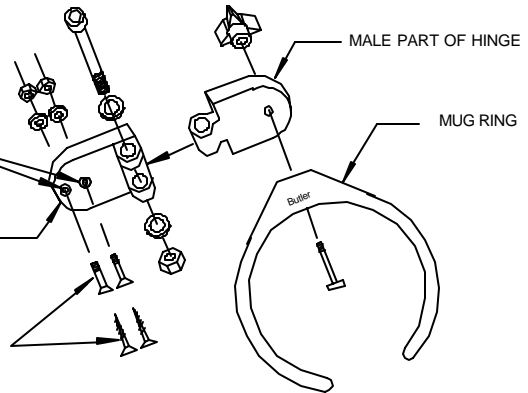
EXAMPLE OF BOAT SIDE CONSOLE MOUNT



USE THE TWO HOLES IN THE FEMALE PART OF THE HINGE AS A TEMPLATE FOR DRILLING.

FEMALE PART OF HINGE

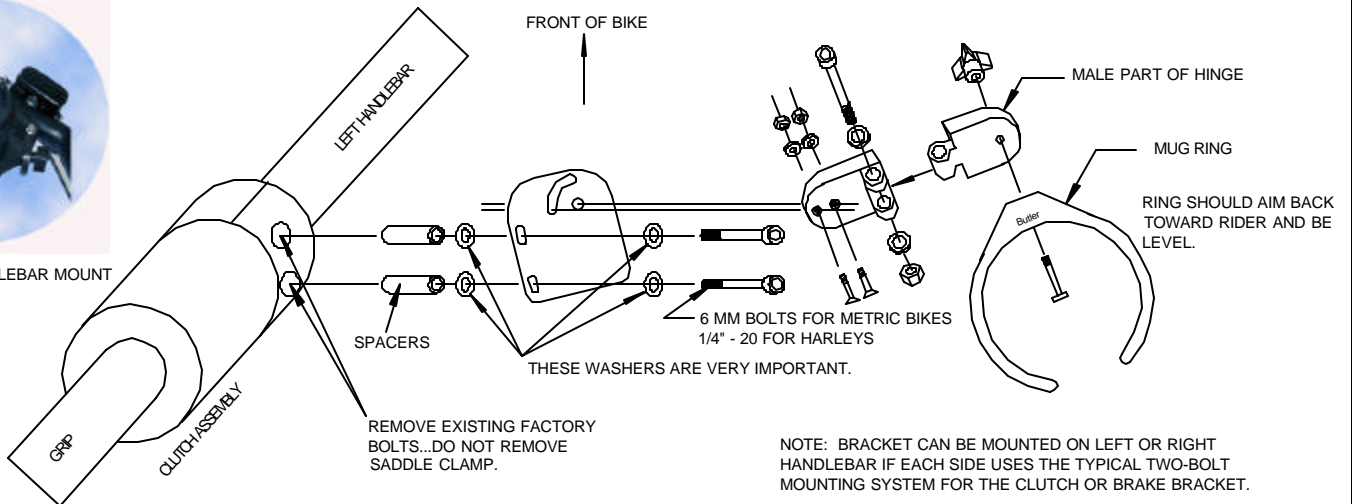
CHOOSE THE TYPE OF BOLTS TO USE.



MOTORCYCLE HANDLEBAR BUTLER INSTRUCTION



EXAMPLE OF HANDLEBAR MOUNT



ATV HANDLEBAR BUTLER INSTRUCTION: TWO OPTIONS AVAILABLE

OPTION 1:

IF TWO-BOLT PATTERN IS AVAILABLE ON ATV HANDLEBAR.

OPTION 2:

USE OF U BOLT AND SADDLE AROUND HANDLEBAR

AFTER COMPLETION OF PRIMARY MOUNT INSTALLATION, REFER TO MOTORCYCLE HANDLEBAR BUTLER INSTRUCTION ABOVE TO INSTALL THE REST OF THE BUTLER BRACKET.

